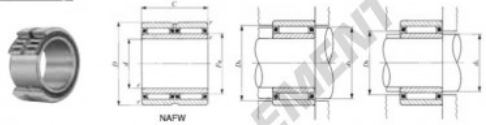


Roulement à aiguilles NAFW173532-IKO - NAW173532-IKO

<https://www.123roulement.ch/roulement-palier/roulement-aiguilles/aiguilles/naw173532-iko>

IKO
NEEDLE ROLLER BEARINGS WITH SEPARABLE CAGE
With Inner Ring



Shaft dia. mm	Identification number	Mess (Ref.)	Boundary dimensions mm					Standard mounting dimensions mm				
		g	d	D	C	r_s min	F_w	d_b Max.	D_b Min.	d_b Max.	D_b Min.	
17	NAFW 173532	155	17	35	32	0.3	22	27.8	33	19	21	22.6
Basic dynamic load rating C	Basic static load rating C ₀	Allowable rotational speed ⁽¹⁾	Assembled inner ring									
N	N	rpm										
30 200	41 800	25 000	LRT 172232									

Notes: (1) Minimum allowable value of chamber dimension r.
(2) Allowable rotational speed depends on grease lubrication.
Remark: 1. The outer ring has an oil groove and an oil hole.
2. Bearings with seals on both sides are provided with prepacked grease. Bearings with a seal on one side are not provided with prepacked grease. Perform proper lubrication for use.

CARACTÉRISTIQUES PRODUIT

Marque	IKO
N° Ean13	3663952384498
Diam. intérieur	17 mm
Diam. extérieur	35 mm
Épaisseur	32 mm
Conditionnement	1

contact@123roulement.ch

+33 359 36 04 90

CRT4 de Lesquin 60 Rue Du Haut De Sainghin 59273 Fretin FRANCE