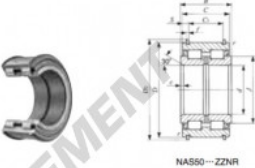


Roulement à aiguilles NAS5032-ZZ-NR-IKO - NAS5032-ZZ-NR-IKO

<https://www.123roulement.ch/roulement-palier/roulement-aiguilles/aiguilles/nas5032-zz-nr-iko>

IKO
ROLLER BEARINGS
Roller Bearings for Sheaves



Shaft dia. mm	Identification number		Mass (Ref.) kg	Boundary dimensions mm						
	Sealed type	Shield type		d	D	D ₂	B	C	C ₁	S
160		NAS 5032ZZNR	16.5	160	240	248.4	109	108	89	9.5

f	c	r ⁽¹⁾ mm	J	Basic dynamic load rating C _r N	Basic static load rating C ₀ N	Allowable rotational speed ⁽²⁾ rpm
3	3.5	1.5	188.5	720 000	1 390 000	650

Notes^(*)
⁽¹⁾ Minimum allowable value of chamfer dimension r.
⁽²⁾ Allowable rotational speed applies to grease lubrication. Considering that the axial load acts under practical operating conditions, up to 1/10 of this value is recommended for actual use.
 Remarks: 1. The NAS and NAU series with a bore diameter, d, of 17 mm or less have no oil hole. In others, the outer ring has an oil groove and two oil holes.
 2. The bearings with seals are provided with prepacked grease.

CARACTÉRISTIQUES PRODUIT

Marque	IKO
N° Ean13	3663952387086
Diam. intérieur	160 mm
Diam. extérieur	240 mm
Épaisseur	109 mm
Conditionnement	1

contact@123roulement.ch

+33 359 36 04 90

CRT4 de Lesquin 60 Rue Du Haut De Sainghin 59273 Fretin FRANCE