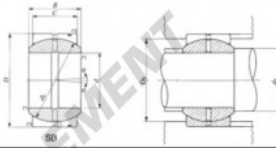


## Rotule GE SB6510555-IKO - SB6510555-IKO

<https://www.123roulement.ch/roulement-palier/rotule/ge/sb6510555-iko>

**IKO**  
**SPHERICAL BUSHINGS**  
Steel-on-steel Spherical Bushings



Shaft dia. mm	Identification number	Mass. (Ref.) kg	Boundary dimensions mm					Permissible tilting angle degree	
			d	D	B	C	d <sub>k</sub> <sup>(1)</sup>		
65	<b>SB 6510555</b>	2.05	65	105	55	47	94	0.6	5
Mounting dimensions mm		Dynamic load capacity		Static load capacity					
d <sub>s</sub>	D <sub>s</sub>	C <sub>d</sub>	C <sub>s</sub>						
Min. Max. <sup>(2)</sup>	Min. Max.	N	N						
69.5 76	100.5 87	433 000	2 600 000						

Notes<sup>(1)</sup> Minimum allowable value of chamfer dimensions r<sub>1</sub> and r<sub>2</sub>.  
<sup>(2)</sup> When Spherical Bushings are used with full tilting angle, the shaft shoulder dimension must be less than the maximum value of d<sub>s</sub>.  
Remark1. The inner ring and the outer ring have an oil groove and two oil holes, respectively.  
2. Not provided with prepacked grease. Perform proper lubrication for use.

### CARACTÉRISTIQUES PRODUIT

Marque	IKO
N° Ean13	3663952391397
Diam. intérieur	65 mm
Diam. extérieur	105 mm
Epaisseur	55 mm
Type	GE
Poids	2050 g
Lubrification	sans
Conditionnement	-
Norme	Sans norme

[contact@123roulement.ch](mailto:contact@123roulement.ch)

+33 359 36 04 90

CRT4 de Lesquin 60 Rue Du Haut De Sainghin 59273 Fretin FRANCE