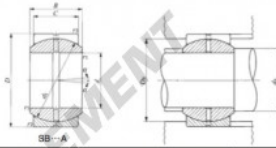


Rotule GE SB75A-IKO - SB75A-IKO

<https://www.123roulement.ch/roulement-palier/rotule/ge/sb75a-iko>

IKO
SPHERICAL BUSHINGS
Steel-on-steel Spherical Bushings



Shaft dia. mm	Identification number	Mass (Ref.) kg	Boundary dimensions mm					Permissible tilting angle degree	
			d	D	B	C	d _k ⁽¹⁾		
75	SB 75A	3.02	75	120	64	55	110	0.6	5
Mounting dimensions mm		Dynamic load capacity C _d N	Static load capacity C _s N						
d _s Min.	d _s Max. ⁽²⁾		D _s Min.	D _s Max.	C _d	C _s			
79.5	89.5	115.5	102	593 000	3 560 000				

Notes: ⁽¹⁾ Minimum allowable value of chamfer dimensions r₁ and r₂.
⁽²⁾ When Spherical Bushings are used with full tilting angle, the shaft shoulder dimension must be less than the maximum value of d_s.
Remark: 1. The inner ring and the outer ring have an oil groove and two oil holes, respectively.
2. Not provided with prepacked grease. Perform proper lubrication for use.

CARACTÉRISTIQUES PRODUIT

Marque	IKO
N° Ean13	3663952391427
Diam. intérieur	75 mm
Diam. extérieur	120 mm
Épaisseur	64 mm
Type	GE
Lubrification	sans
Conditionnement	1

contact@123roulement.ch

+33 359 36 04 90

CRT4 de Lesquin 60 Rue Du Haut De Sainghin 59273 Fretin FRANCE