

Rotule SA SAZP6-S-DURBAL - SAZP6-S-DURBAL

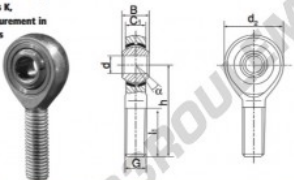
<https://www.123roulement.ch/roulement-palier/rotule/sa/sazp6-s-durbal>

SAZP6-S



male thread:
lubrication required, similar to DIN ISO 12240-4; series R, measurement in inches

Description: DIN ISO rod end K series. Dimensions in inch. Sliding combination steel / heavy duty bronze. With grease nipple.



Rod end body:
surface zinc plated

Sliding combination:
steel / heavy duty bronze

Inner ring:
bearing steel, hardened, ground and spherical surface chromium plated

Outer ring:
heavy duty bronze with lubrication

Lubrication:
lubrication required, with grease nipple

order number		measurement [mm]	
right hand thread	left hand thread	d	G
SAZP 6 S		6,35	1/4 - 28
			B
			9,53
			C1
			7,14
			d2
			19,05

type	inches	measurement [mm]		α	load rating	weight
		l1 min	h	[°]	C0 [kN]	[g]
SAZP / SAZPL 6 S	1 / 4 "	25,40	39,67	13	6,6	0,022

CARACTÉRISTIQUES PRODUIT

Marque	DURBAL
N° Ean13	3663952496030
Diam. intérieur	6.35 mm
Diam. intérieur	1/4" inch
Diam. extérieur	19.05 mm
Diam. extérieur	3/4" inch
Epaisseur	9.53 mm
Epaisseur	3/8" inch
Type	SA
Poids	22 g
Filetage	Filetage à droite
Lubrification	sans
Conditionnement	1

contact@123roulement.ch

+33 359 36 04 90

CRT4 de Lesquin 60 Rue Du Haut De Sainghin 59273 Fretin FRANCE