

Rotule SA

SAZJL19-DURBAL - SAZJL19-DURBAL

https://www.123roulement.ch/roulement-palier/rotule/sa/sazjl19-durbal

SAZJL19



female thread:
lubrication
required,
similar to
DIN ISO 12240-4,
series K,
measurement in
inches

Description: DIN ISO rod end K series. Dimensions in inch. Housing made of forged steel, sliding combination steel / steel. Size ≥ 9 with grease nipple can be mounted upon request.

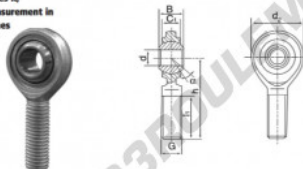
Rod end body:
surface zinc plated

Sliding combination:
steel / steel

Inner ring:
bearing steel, hardened, ground and spherical surface chromium plated

Outer ring:
rod end body pressed around inner ring

Lubrication:
lubrication required



order number		measurement [mm]				
right hand thread	left hand thread	d	G	B	C ₁	d ₂
SAZJL 19		19,05	3/4 - 16	22,23	15,06	44,45

type	inches	measurement [mm]		load rating	weight
		h ₁ min	h	C ₀ [kN]	[g]
SAZI / SAZJL 19	3 / 4 "	44,45	73,03	12,0	0,260

CARACTÉRISTIQUES PRODUIT

Marque	DURBAL
N° Ean13	3663952496627
Diam. intérieur	19.05 mm
Diam. extérieur	44.45 mm
Epaisseur	22.23 mm
Type	SA
Poids	260 g
Filetage	Filetage à gauche
Lubrification	sans
Conditionnement	1

contact@123roulement.ch

+33 359 36 04 90

CRT4 de Lesquin 60 Rue Du Haut De Sainghin 59273 Fretin FRANCE