

Rotule SI

SIL25-ES-2RS-DURBAL - SIL25-ES-2RS-DURBAL

<https://www.123roulement.ch/roulement-palier/rotule/si/sil25-es-2rs-durbal>

SIL25-ES-2RS



female thread; lubrication required, according to DIN ISO 12240-4; series E

Description: DIN ISO rod end E series. Made of spherical plain bearing DGL...E (ES) pressed into rod end body. Sliding combination steel / steel. Maintenance necessary. Bore diameter $d \geq 15$ with grease nipple in rod end body and lubrication groove and hole in inner and outer ring. Bore diameter $d \geq 15$ type DSL...ES-2RS with additional seals also available.

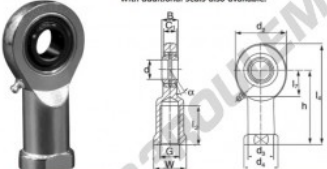
Rod end body: surface zinc plated

Sliding combination: steel / steel

Inner ring: bearing steel, hardened, ground and phosphated

Outer ring: bearing steel, hardened, ground and phosphated

Lubrication: lubrication required



order number	d	G	B	C1	d2	d3	d4
SIL 25 ES (-2RS)	25	M 24 x 2	20	17,0	64	33,5	42

type	l ₁ min	W	h	α	load rating C ₀ (kN)	weight (kg)
SI / SIL 25 ES (-2RS)	48	36	94	7	83,0	0,64

CARACTÉRISTIQUES PRODUIT

Marque	DURBAL
N° Ean13	3663952497143
Diam. intérieur	25 mm
Diam. extérieur	64 mm
Epaisseur	20 mm
Type	SI
Poids	640 g
Filetage	Filetage à gauche
Lubrification	avec
Conditionnement	1

contact@123roulement.ch

+33 359 36 04 90

CRT4 de Lesquin 60 Rue Du Haut De Sainghin 59273 Fretin FRANCE