

## Rotule SI SI80-ES-DURBAL - SI80-ES-DURBAL

<https://www.123roulement.ch/roulement-palier/rotule/si/si80-es-durbal>

### SI80-ES



**female thread; lubrication required, according to DIN ISO 12240-4; serie E**

**Description:** DIN ISO rod end E series. Made of spherical plain bearing DGL...E (ES) pressed into rod end body. Sliding combination steel / steel. Maintenance necessary. Bore diameter  $d \geq 15$  with grease nipple in rod end body and lubrication groove and hole in inner and outer ring. Bore diameter  $d \geq 15$  type DSL...ES-2RS with additional seals also available.

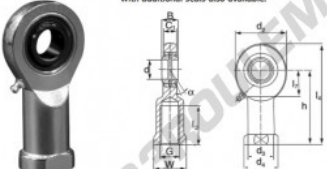
**Rod end body:** surface zinc plated

**Sliding combination:** steel / steel

**Inner ring:** bearing steel, hardened, ground and phosphated

**Outer ring:** bearing steel, hardened, ground and phosphated

**Lubrication:** lubrication required



order number		measurement (mm)	
right hand thread	left hand thread	d	G
SI 80 ES		80	M 64 x 4

type	measurement [mm]				load rating $C_0$ [kN]	weight [kg]
	$l_1$ min	W	h	$\alpha$ [°]		
SI / SIL 80 ES	85	100	230	6	750,0	12,0

## CARACTÉRISTIQUES PRODUIT

Marque	DURBAL
N° Ean13	3663952497792
Diam. intérieur	80 mm
Diam. extérieur	180 mm
Epaisseur	55 mm
Type	SI
Poids	12000 g
Filetage	Filetage à droite
Lubrification	avec
Conditionnement	1

[contact@123roulement.ch](mailto:contact@123roulement.ch)

+33 359 36 04 90

CRT4 de Lesquin 60 Rue Du Haut De Sainghin 59273 Fretin FRANCE