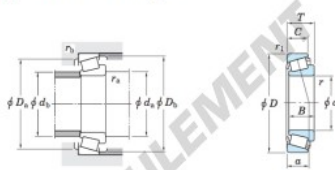


Roulement conique 857R-854-JTEKT - 857R-854-JTEKT

<https://www.123roulement.ch/roulement-palier/roulement-rouleaux/conique/857r-854-jtekt>

Single-row tapered roller bearings
inch series



Koyo

| Boundary dimensions (mm) | | | | | | | Basic load ratings (kN) | | Limiting speeds (min ⁻¹) | |
|--------------------------|----------|----------|----------|----------|--------------------------|----------------------------|-------------------------|------------------------|--------------------------------------|----------|
| <i>d</i> | <i>D</i> | <i>T</i> | <i>B</i> | <i>C</i> | <i>r</i> _{max.} | <i>r</i> ₁ min. | <i>C</i> _r | <i>C</i> ₁₀ | Grease lub. | Oil lub. |
| 92.075 | 190.500 | 57.150 | 57.531 | 44.450 | 7.9 | 3.2 | 385 | 565 | 2 100 | 2 700 |

| Bearing No. | | Load center (mm) <i>a</i> | Mounting dimensions (mm) | | | | | | Constant <i>e</i> | Axial load factors | | (Refer) Mass (kg) | |
|-------------|------------|---------------------------|--------------------------|-----------------------|-----------------------|-----------------------|----------------------------|----------------------------|-------------------|-----------------------|-----------------------|-------------------|------------|
| Inner ring | Outer ring | | <i>d</i> _a | <i>d</i> _b | <i>D</i> _a | <i>D</i> _b | <i>r</i> _a max. | <i>r</i> _b max. | | <i>Y</i> ₁ | <i>Y</i> ₂ | | Inner ring |
| 857R | 854 | 39.9 | 121.0 | 106.0 | 170.0 | 174.0 | 7.9 | 3.2 | 0.33 | 1.79 | 0.99 | 4.86 | 2.66 |

CARACTÉRISTIQUES PRODUIT

| | |
|-----------------|---------------|
| Marque | JTEKT |
| N° Ean13 | 3663952429786 |
| Diam. intérieur | 92.075 mm |
| Diam. intérieur | 3 5/8" inch |
| Diam. extérieur | 190.5 mm |
| Diam. extérieur | 7 1/2" inch |
| Epaisseur | 57.15 mm |
| Epaisseur | 2 1/4" inch |
| Conditionnement | 1 |

contact@123roulement.ch

+33 359 36 04 90

CRT4 de Lesquin 60 Rue Du Haut De Sainghin 59273 Fretin FRANCE