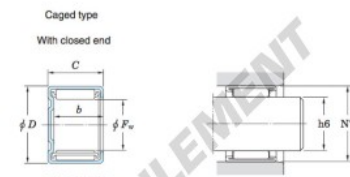


## Roulement à aiguilles MHKM1012-JTEKT - MHKM1012-JTEKT

<https://www.123roulement.ch/roulement-palier/roulement-aiguilles/aiguilles/mhkm1012-jtekt>

Drawn cup needle roller bearings Koyo



Boundary dimensions (mm)			Basic load ratings (kN)		Limiting speeds (min <sup>-1</sup> )		Bearing No. <sup>2)</sup>	
F <sub>w</sub>	D	C	b min.	C <sub>r</sub>	C <sub>0r</sub>	Oil lub.	Caged type	With closed end
10	17	12	10.4	6.00	5.90	30 000	With open ends	MHKM1012

Full complement type		Recommended dimensions (mm)				Refer. Mass (g)	
With open ends	With closed end	Shaft dia. (d6) min.	max.	Housing bore dia. (N7) min.	max.	With open ends	With closed end
—	—	9.991	10.000	16.977	16.995	9.4	11

### CARACTÉRISTIQUES PRODUIT

Marque	JTEKT
N° Ean13	3663952469607
Diam. intérieur	10 mm
Diam. extérieur	17 mm
Épaisseur	12 mm
Poids	11 g
Conditionnement	1

[contact@123roulement.ch](mailto:contact@123roulement.ch)

+33 359 36 04 90

CRT4 de Lesquin 60 Rue Du Haut De Sainghin 59273 Fretin FRANCE