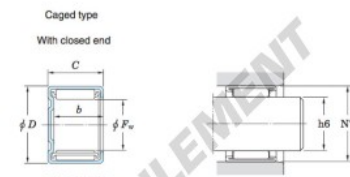


Roulement à aiguilles 16MKM2212-JTEKT - 16MKM2212-JTEKT

<https://www.123roulement.ch/roulement-palier/roulement-aiguilles/aiguilles/16mkm2212-jtekt>

Drawn cup needle roller bearings Koyo



Boundary dimensions (mm)			Basic load ratings (kN)		Limiting speeds (min ⁻¹)		Bearing No. ²⁾	
F_w	D	C	b min.	C_r	C_{10}	Oil lub.	Caged type With open ends	With closed end
16	22	12	9.3	7.80	9.80	22 000		16MKM2212

Full complement type		Recommended dimensions (mm)				Refer. Mass (g)	
With open ends	With closed end	Shaft dia. (φ6) min.	max.	Housing bore dia. (N7) min.	max.	With open ends	With closed end
—	—	15.989	16.000	21.991 ⁴⁾	22.012 ⁴⁾	11	12

CARACTÉRISTIQUES PRODUIT

Marque	JTEKT
N° Ean13	3663952470290
Diam. intérieur	16 mm
Diam. intérieur	0.63" inch
Diam. extérieur	22 mm
Diam. extérieur	0.866" inch
Epaisseur	12 mm
Epaisseur	0.472" inch
Poids	12 g
Conditionnement	1

contact@123roulement.ch

+33 359 36 04 90

CRT4 de Lesquin 60 Rue Du Haut De Sainghin 59273 Fretin FRANCE