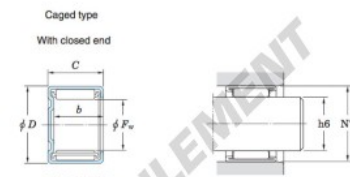


## Roulement à aiguilles MHKM2616-JTEKT - MHKM2616-JTEKT

<https://www.123roulement.ch/roulement-palier/roulement-aiguilles/aiguilles/mhkm2616-jtekt>

Drawn cup needle roller bearings Koyo



Boundary dimensions (mm)			Basic load ratings (kN)		Limiting speeds (min <sup>-1</sup> )	Bearing No. <sup>2)</sup>
F <sub>w</sub>	D	C	b min.	C <sub>r</sub>	C <sub>0r</sub>	Oil lub.
26	34	16	13.3	15.3	22.5	14 000
						Caged type With open ends    With closed end <b>MHKM2616</b>

Full complement type		Recommended dimensions (mm)				Refer. Mass (g)	
With open ends	With closed end	Shaft dia. (d6) min.	max.	Housing bore dia. (N7) min.	max.	With open ends	With closed end
—	—	25.987	26.000	33.967	33.992	30	34

### CARACTÉRISTIQUES PRODUIT

Marque	JTEKT
N° Ean13	3663952471570
Diam. intérieur	26 mm
Diam. extérieur	34 mm
Épaisseur	16 mm
Poids	34 g
Conditionnement	1

[contact@123roulement.ch](mailto:contact@123roulement.ch)

+33 359 36 04 90

CRT4 de Lesquin 60 Rue Du Haut De Sainghin 59273 Fretin FRANCE